

SEPHRA®

The most trusted name in chocolate fountains™

8OZ POPCORN MAKER OPERATING MANUAL

THE LEGEND OF SEPHRA

Woven among the threads of ancient Aztec legend lies the story of Sephra, an enchanting goddess whose beauty could be described only as the richness of the dark earth combined with the luster and glow of pure gold. Her voice was softer than the most delicate flower, and her presence carried the aroma of sweet cocoa. It was Sephra who gave the ancient Aztecs the precious gift of the cocoa tree.

The legend reveals that the spirit of Sephra nourished the cocoa trees and lived within the priceless beans they produced. The Aztec kings named the cocoa tree “Theobroma Cacao,” meaning “food of the gods.” So valuable were cocoa beans that they were used to pay tribute to royalty and were given as sacred offerings to the gods.

Montezuma, the ruler of the wealthy Aztec Empire, was so enchanted by Sephra that he commissioned an elite force of skilled artisans and master craftsmen to construct a temple in her honor. As a special offering to the goddess, Montezuma built a magnificent fountain in the highest room of the temple and

filled it with glistening spring water, which flowed from beneath its walls. He then surrounded the fountain with a splendid array of the most perfect cocoa beans, in hopes that Sephra would continue to bless the people with the unique and valuable crop. So pleased was Sephra with Montezuma’s gift that she came to him in a dream and told him that her spirit would always live in the fountain he had given her. Moments later, Montezuma awoke to the sweet smell of cocoa lingering in the air. The aroma led him to the upper room of the temple where Sephra’s fountain stood. To his astonishment, the fountain no longer flowed with water, but with the richest, purest chocolate . . . this was truly a gift from the gods . . .

For centuries, Sephra’s fountain remained hidden beneath the ruins of the ancient Aztec temple, waiting to be discovered. At long last it was, and with it was unveiled the secret of the pure, rich chocolate once coveted by gods and kings . . .

© Sephra L.P. 2003

DEAR SEPHRA CUSTOMER

Thank you for choosing one of our appliances. It is very easy to use, and we do strongly recommend that you carefully read these instructions, which include advice on how to use and install your appliance in order to obtain optimum results.

Reception and Unpacking

Any damage due to transport must be reported to the carrier by registered letter with acknowledgement of receipt, within 24 hours of receiving your appliance. You must also note your observations on the delivery note, describing in detail the damage noted on delivery.

Ordering and Contacting Us.

You can order all you need for your appliance by calling us on +44 (0) 1592-656737 or you can contact us toll-free in the USA on (877) 617-8803. You can also contact us by visiting our website at www.sephra.com or www.sephraeurope.com.

Our mission is to help you make your Sephra appliance a very profitable aspect of your business and look forward to assisting you.

Thank you for choosing a Sephra!

The Sephra Team

TABLE OF **CONTENTS**

WELCOME TO SEPHRA	1
DEAR SEPHRA	2
CONTENTS	3
IMPORTANT SAFEGUARDS	4
SPECIFICATIONS & ASSEMBLY	5
ASSEMBLY INSTRUCTIONS	6
USING THIS APPLIANCE	7
MAINTENANCE AND CLEANING	8

IMPORTANT SAFEGUARDS

- **READ ALL INSTRUCTIONS BEFORE USING THIS MACHINE**
- Do not touch hot surfaces, Always use handles or knobs to operate.
- To avoid any risk or electrical shock, do not submerge the cord or plug in water or any other liquid.
- This appliance is not designed for use by people (including children) whose physical, sensorial or mental capacities are impaired or by people with no experience or knowledge, unless they have been supervised or given training in the use of the appliance beforehand by a person responsible for their safety.
- Close supervision is necessary when an appliance is used by children, or in their presence.
- The appliance must never be left without supervision during use.
- Do not use the appliance for anything other than the purpose, which is described.
- There is a risk of accidents if accessories are used that are not recommended by the manufacturer of this appliance.
- The appliance must be earthed.
- It is recommended to examine the power supply cable regularly in order to detect signs of deterioration.
- Do not connect nor use any appliance with a damaged plug or cable. If the power supply cord is damaged, it must be replaced by the manufacturer, its after-sales service or a similar qualified person to avoid any danger.
- In case of failure, the examination and repair should be performed by a qualified technician.
- All maintenance must be performed by a qualified technician.
- The appliance is not designed to be switched on by an external timer or separate remote control system.
- If you need to use an extension lead, take care to unravel the whole length in order to avoid the cable overheating.
- Always connect or disconnect the cable to the power socket with the thermostat knob set at the off position.
- In order to avoid electric shocks, do not immerse the cable, socket or body of the appliance in water or any other liquid. Do not handle with wet hands.
- Do not let the cord hang over the edge of a table or counter.
- Do not put the appliance or its cable on or near a hot surface (electrical hotplate, hot gas burner, heated oven etc).
- Disconnect the plug when the appliance is not in use or before cleaning.
- The appliance must not be cleaned with a high or low-pressure jet.
- Do not bleach.
- Do not handle the appliance while hot.
- Do not touch the hot surfaces.
- Leave the appliance to cool prior to handling or cleaning.
- This device is prohibited outside.
- Place the appliance on a dry and stable surface, and slightly back from the edge and at least 20 cm from any wall or element liable to be affected by heat.
- We recommend you keep the original packaging in order to store the appliance.

- **SAVE THESE INSTRUCTIONS - FOR DOMESTIC OR LIGHT COMMERCIAL USE.**

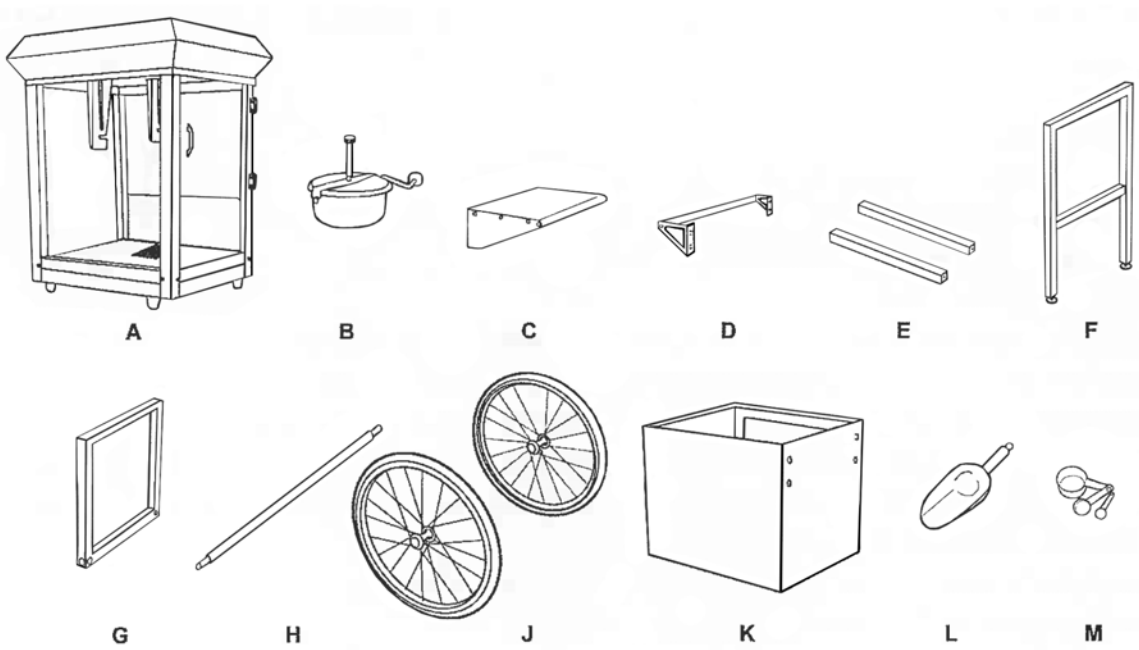
MODEL NUMBER SPECS & ASSEMBLY

Specifications

Model Number: Sephra 8oz Popcorn Machine
Voltage: AC 230Volts
Input Power: 1000W

Machine Dimensions: 152x76.5x45cm
Weight: 42Kg
External Box: 165x67x41cm

Please read this user manual carefully before assembling and using this machine.



- A Main Unit x 1
- C Working Platform x 1
- E Square Pole x 2
- G Short Stand x 1
- J Wheels x 2
- L Popcorn Scoop x 1

- B Kettle x 1
- D Hand Rail x 1
- F Long Stand x 1
- H Wheel Axis x 1
- K Storage Cabinet x 1
- M Kernel & Oil Spoons

- Packet A - Gold Plated Bolts, Nuts and Washers x 8
- Packet B - Bolts x 8 - Washers x 4
- Packet C - Round Capped Nuts x 2 - Washers x 2
- Packet D - Wrench x 2

ASSEMBLING PROCEDURES

Use the bolts and washers from (PACKAGE B) to connect the Long Stand(F) and the Square Poles x 2 (E) together.

Connect the completed section (STEP 1) with the Short Stand(G) using the bolts and washers from (PACKAGE B)

Insert Axis(H) through Short Stand(G). Place sleeves and washers (PACKAGE C) onto each side of Wheels(I) and then fix with round capped nuts and and wrenches provided (PACKAGE D)

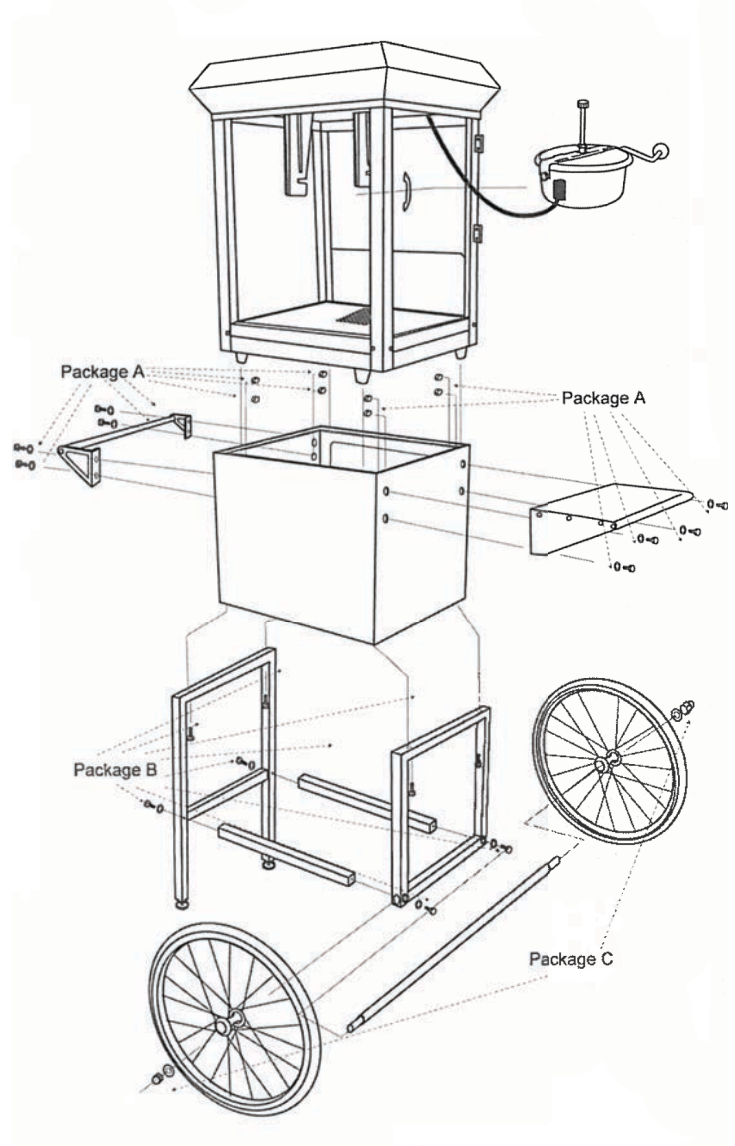
Turn the Storage Cabinet(K) up side down for easier assembly. Insert both ends of the short and long stand into the bottom of the Storage Cabinet(K) and secure with bolts (PACKAGE B)

Turn the complete unit back into the up-right position. Install the Handrail(D) onto the left hand side and the working platform(C) on the right hand side. Use bolts, nuts and washer (PACKAGE A)

Place the main unit(A) onto the topside of the storage cabinet. (Caution: Power cord outlet should be inserted into the u-shape position)

Hook up the Kettle(B) onto the hanger. (Caution: Roller bar should be on the door side and also insure gears between the kettle and ceiling are perfectly matched)

Open the door of the storage cabinet and release the spring shaft beneath the main unit in order to fix the main unit with the storage base. Remark: the main unit alone could be used and placed onto a stable counter top for operation.



USING YOUR POPCORN MAKER

The operator should follow these instructions:

Before using the unit, please check carefully if voltage is suitable to the country.
(Please check if the voltage is matching with rating label specified next to the power cord).

Clean the internal surface of the kettle and all the units surfaces then hook the Kettle onto the hanger of the main unit.

The main unit has three switches, with three different functions - see right.

Switch on the light (1).

Pour 2oz of oil into the kettle. (4)

Pour 8oz of kernels into the kettle and cover with kettle lid. (5)

Switch ON the adjitater and heater (2&3).

The adjitator should begin to rotate (6)

Allow the oil to melt then add correct measure (per instructions) of flavouring.

The kernels should then start to pop within a minute or two.

Popcorn will begin to spill out of the kettle onto the heater deck. (7)

Switch OFF the adjitater and heater (2&3) when the popping becomes less frequent.

Release the kettle from latch and pour the remaining popcorn out of the kettle onto the heating deck.

Serve popcorn with scoop provided.

Remove plug from power supply if the unit is not being used for a long time.

Repeat step for more popcorn.



1



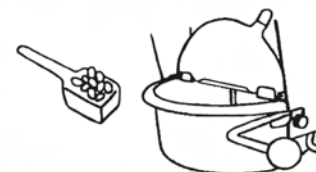
2



3



4



5



6



7

MAINTENANCE AND CLEANING

Before cleaning your appliance, unplug it and let the kettle cool down. Read the general rules applicable to electrical equipment before any action on the appliance.

The Frame

- Clean the frame with a damp warm cloth and diluted liquid detergent.
- Never use abrasive products or metallic brushes.
- Do not clean the appliance under flowing water.
- Do not immerse the appliance.

The Kettle

Disconnect unit from power supply and wait until the unit has cooled down before you begin with any maintenance or cleaning procedures. Food residues or spots on the surfaces have to be cleaned immediately (make sure not to burn yourself as the unit could still be hot) or at the latest before operation. Use a damp cloth for cleaning if only slight residues has to be removed. If this is not sufficient, please wait until all parts of the unit have become cold and clean with an appropriate, non-abrasive detergent.

Sephra would advise you to use Heat 'N Kleen kettle cleaner; Heat 'N Kleen is safe and simple to use. Simply put in a few tablespoons of the product into water and heat within the kettle for great results. Heat 'N Kleen softens carbon that builds up within the kettle, making it easy for removal. A 879g tub will provide you with many kettle cleans.

SEPHRA EUROPE LTD

UNIT 2, BLOCK 9 MUIRHEAD, MITCHELSTON INDUSTRIAL ESTATE,
KIRKCALDY, FIFE, SCOTLAND, UNITED KINGDOM, KY1 3PE

T +44 (0) 1592 656 737 info@sephraeurope.com www.sephraeurope.com

 SEPHRAEUROPE  SEPHRAEUROPE  SEPHRABLOG.COM